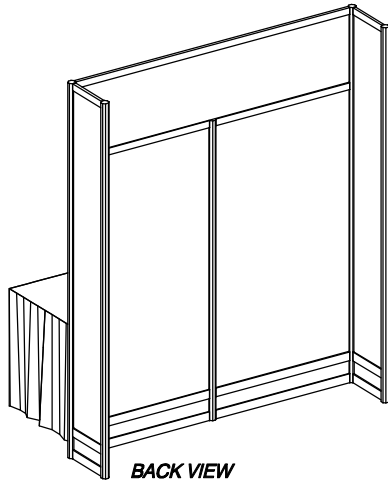
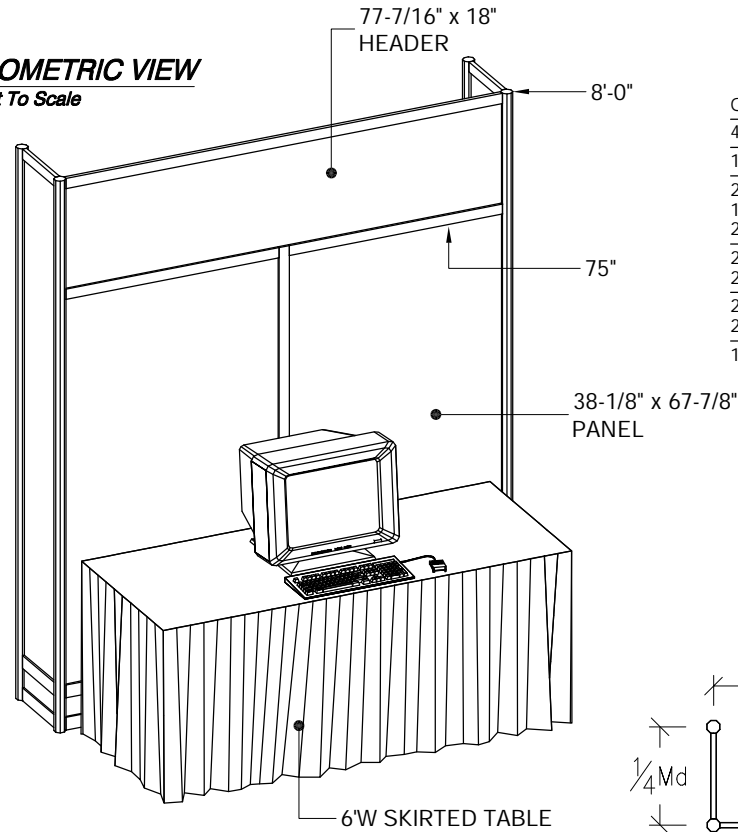


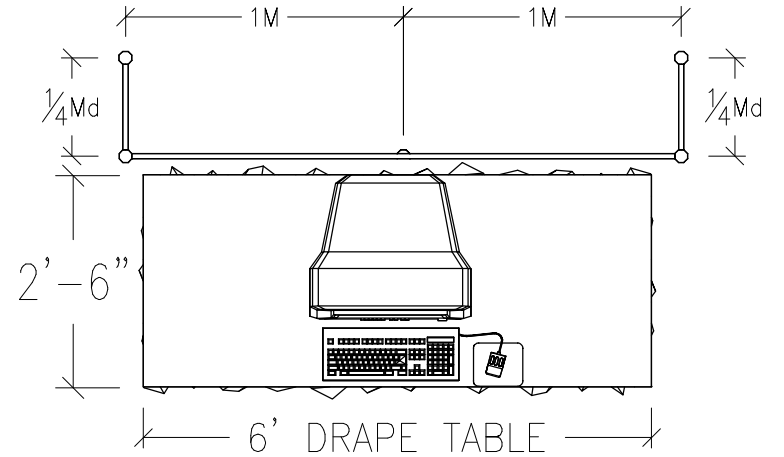
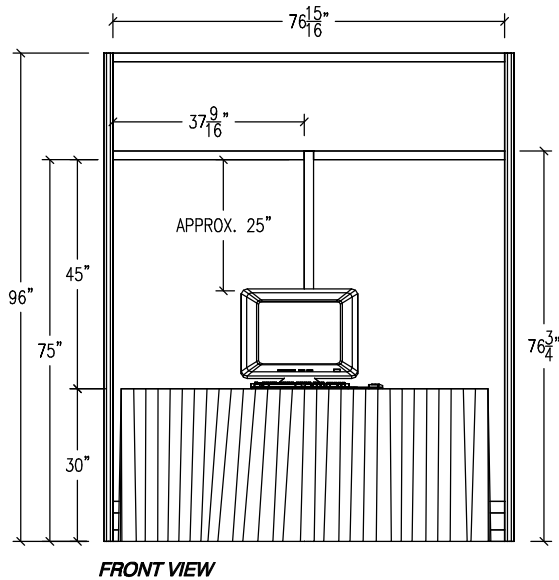
Stand-alone Computer Exhibit



ISOMETRIC VIEW
Not To Scale



Qty	Type	Description	Size
4	P80	8'-0"	96"
1	P50	6' 4-3/4"	76-3/4"
2	H45	1/4 Meter Diag.	12-1/8"
1	H45	2 Meter	76-15/16"
2	H45	1 Meter	37-9/16"
2	H200	1/4 Meter Diag.	12-1/8"
2	H200	1 Meter	37-9/16"
2	Standard Panel	1/4Md x 96" Panel	12-5/8" x 87"
2	Standard Panel	1M x 76-3/4" Panel	38-1/8" x 67-7/8"
1	Header Panel	2M x 19-3/4" Panel	77-7/16" x 18"



Show Name: RSNA 2007

Show Location: McCORMICK PLACE, CHICAGO

Show Dates: NOVEMBER 25-30, 2007

Account Executive: DON DAUP

File Name: A-RSNA-07-STAND ALON COMPUTER EXHIBIT .dwg

Drawn By: ADAM GONDEK - CHICAGO

Date: 7/24/07

Revised: 00/00/00

PAGE 1 OF 1

F R E E M A N

ALL IDEAS, DESIGNS AND ARRANGEMENTS REPRESENTED BY THIS DRAWING WERE CREATED BY FREEMAN FOR USE ON THE SPECIFIED PROJECT, AND REMAIN THE PROPERTY OF SAID COMPANY. NONE OF SUCH IDEAS SHALL BE USED OR DISCLOSED TO ANY PERSON, FIRM OR CORPORATION FOR ANY PURPOSE WITHOUT WRITTEN PERMISSION OF FREEMAN.