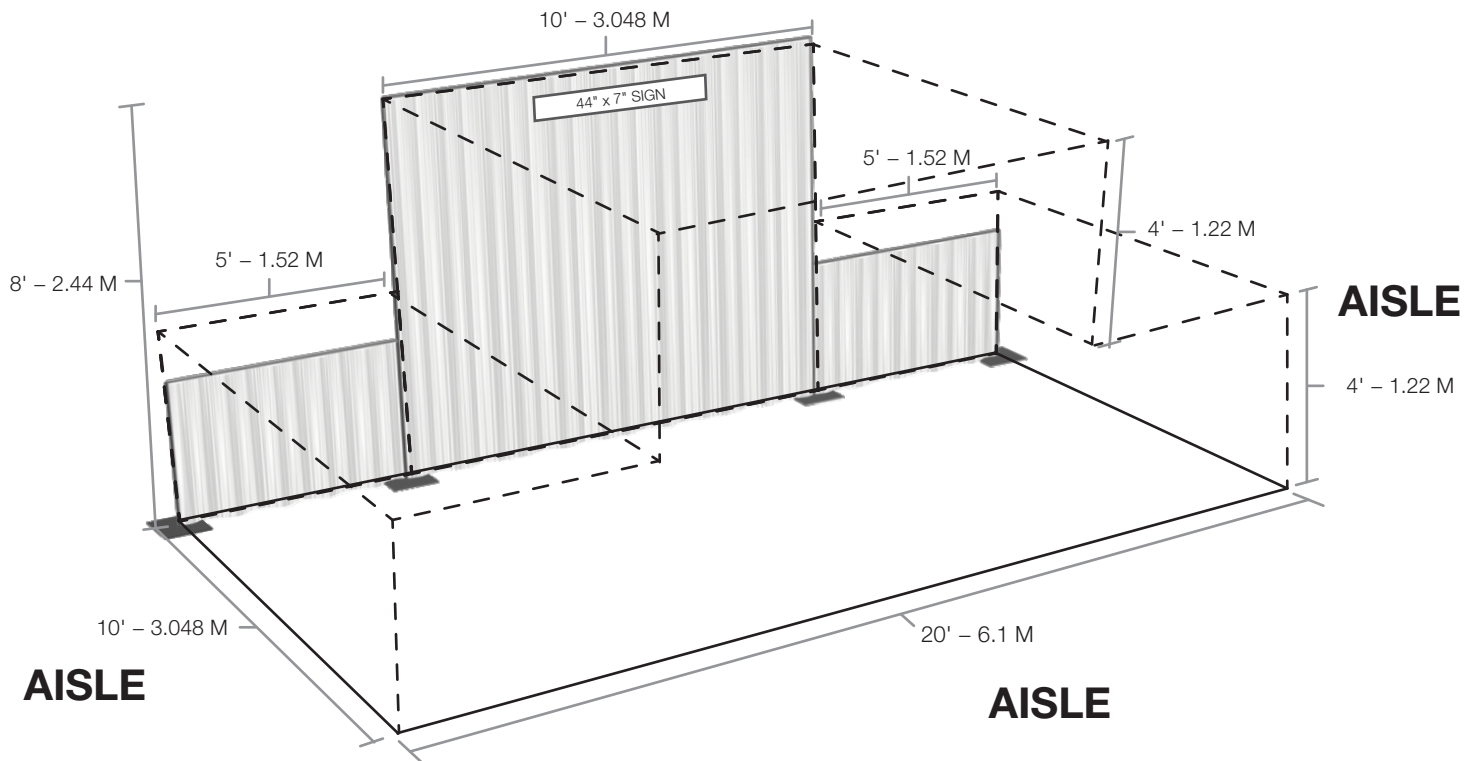


Peninsula Exhibits

The minimum booth size is 10' x 20' with two corners and three open sides thus creating an "end cap." Only a 10' wide backwall can be built within a peninsula exhibit. No part of the backwall may exceed a height of 8' from the floor of the exhibit hall. Each 5' side of the backwall cannot exceed the height of 4' as not to block the view or impede the site lines of neighboring exhibitors.



- Exhibitors are required to provide floor coverings for all booths.
- RSNA will set each peninsula booth with 8' high back drape, 3' high side rails and a 44"x7" one-line identification sign.
- Hanging signs are not permitted.